

SUSPENSIONS

THE PLUS OF ADR SUSPENSIONS

> **Optimized geometry**

All components are steel castings, machined to ensure maximum precision of the suspension's geometry to meet the requirements both of the vehicle manufacturer and of the end user.

> **Optimized weight**

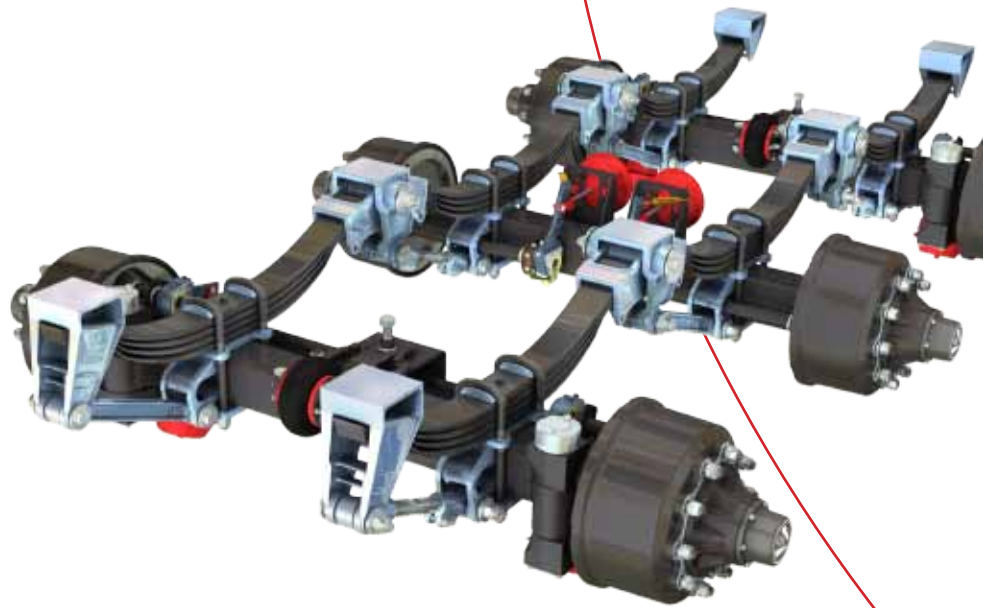
cast pieces ensure the most profitable ratio between mass, strength and stiffness. Their coupling with parabolic leaf springs is the very solution for the maximum carrying capacity of the vehicle.

> **Maximum stability**

The Black Bull hollow body axles reduce the unsprung mass, improve stability and road holding even in high vehicles.

> **Perfect matching of the suspension to the body axis**

The precise shape of castings and the accuracy of machining always ensure a perfect coupling of springs to the axle body and make sure the vehicle behaviour is always reliable and safe.



> Perfect alignment of the axles

An effective system of adjustable clamping allows the easy alignment of every single axle thus improving the precision in driving and tire life.

> High modularity of the components

Most of the components are common to tandem and tridem and allow to create suspensions of very different characteristics by replacing only a few component.

> Optimization of the braking efficiency of the axles

The ADR parabolic suspensions always allow the assembly of the axles with the brake camshaft in driving direction. An undisputed advantage with S cam brakes performing the maximum efficiency, without vibrations, when the rotation of the cams is according to the rotation of the wheel.

> Silent drive and easy maintenance

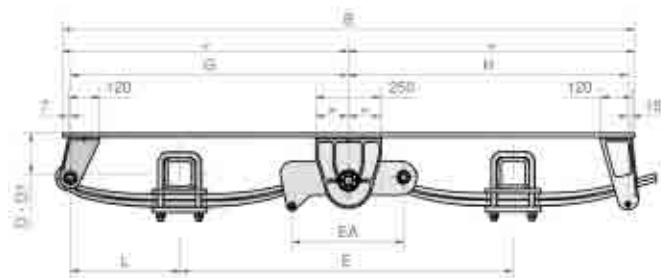
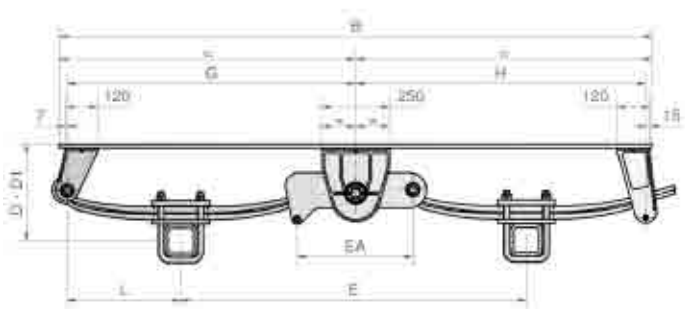
All the joints of the suspension are silent-blocs in order to reduce the noise with a simple and easy to maintain construction, no periodic lubrication is necessary, no risk of malfunction due to rust.



PARABOLIC TANDEM SUSPENSION

80 mm WIDE KC

100 mm WIDE KD



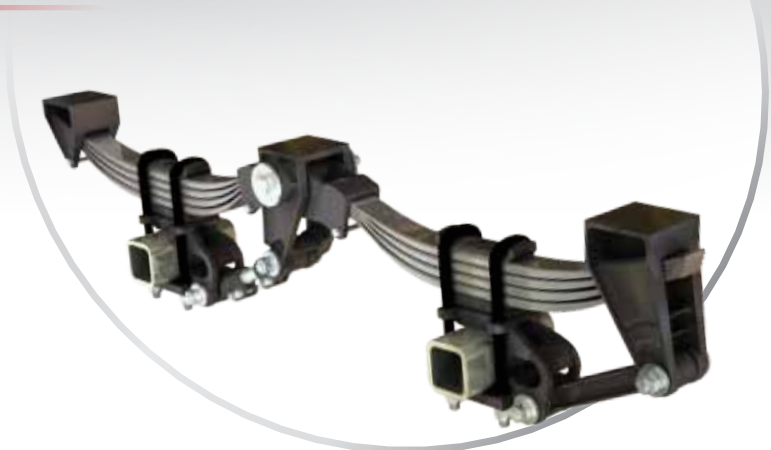
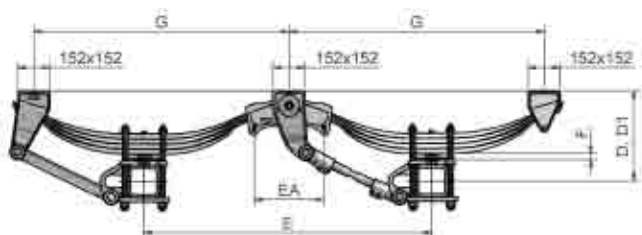
TYPE	CAPACITY	WHEELB E	G SIZE	AXLE BEAM	D SIZE	D1 SIZE	ROCKER EA
PARABOLIC TANDEM SUSPENSION (80 mm SPRING WIDE)							
KC2115C1N10	12000	1150	1205	□ 110	275	262	470
PARABOLIC TANDEM SUSPENSION (100 mm SPRING WIDE)							
KD2136D21N11	21000	1350	1087	□ 110	351	333	420
KD2136D21N12	21000	1350	1087	□ 120	351	333	420
KD2150D21N10	21000	1480	1152	□ 110	351	333	550
KD2150D21N12	21000	1480	1152	□ 120	351	333	420

UNDERSLUNG PARABOLIC TANDEM SUSPENSION

TYPE	CAPACITY	WHEELB E	G SIZE	AXLE BEAM	D SIZE	D1 SIZE	ROCKER EA
PARABOLIC TANDEM SUSPENSION (80 mm SPRING WIDE)							
KC2115C1N10	12000	1150	1205	□ 110	275	262	470
PARABOLIC TANDEM SUSPENSION (100 mm SPRING WIDE)							
KD2136D2R11	21000	1350	1087	□ 110	157	139	420
KD2136D2R12	21000	1350	1087	□ 120	147	129	420
KD2150D2R11	21000	1480	1152	□ 110	157	139	550
KD2115D2R12	21000	1480	1152	□ 120	147	129	550

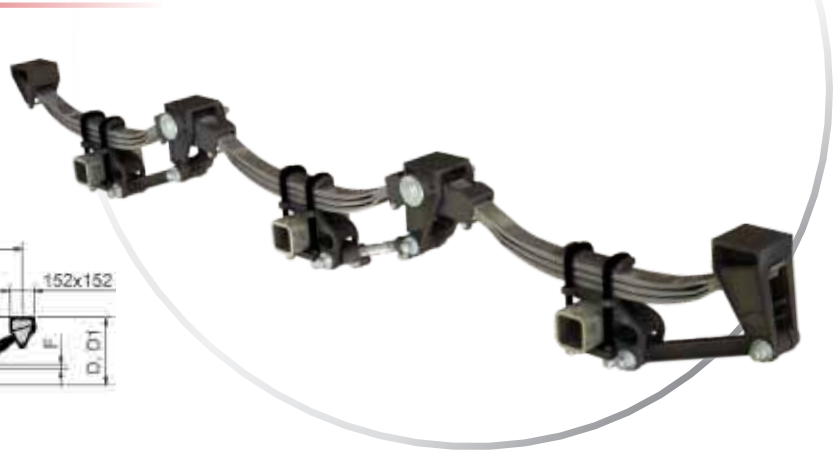
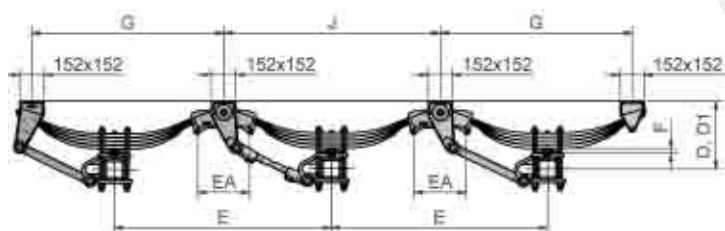
LINKED PARABOLIC TANDEM SUSPENSION KE

76 mm WIDE KE



TYPE	CAPACITY	WHEELB E	G SIZE	AXLE BEAM	D SIZE	D1 SIZE	SPRING	ROCKER EA
LINKED PARABOLIC TANDEM SUSPENSION (76 mm SPRING WIDE)								
KE2136B4N12	24000	1360	1205	□ 120	395	360	4x25/10	336
KE2136B4NT1	24000	1360	1205	○ 127	395	360	4x25/10	336
KE2136B4N15	24000	1360	1205	□ 150	395	360	4x25/10	336
KE2153B4N12	24000	1525	1285	□ 120	395	360	4x25/10	490
KE2153B4NT1	24000	1525	1285	○ 127	395	360	4x25/10	490
KE2153B4N15	24000	1525	1285	□ 150	395	360	4x25/10	490

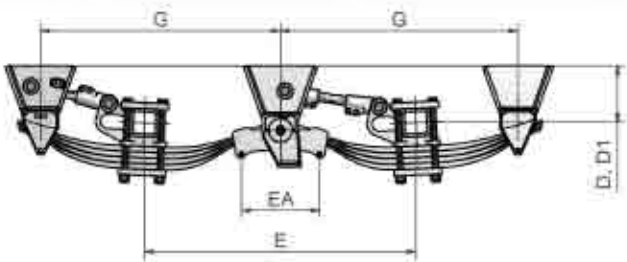
LINKED PARABOLIC TRIDEM SUSPENSION KE



TYPE	CAPACITY	WHEELB E	G SIZE	J SIZE	AXLE BEAM	D SIZE	D1 SIZE	SPRING	ROCKER EA
LINKED PARABOLIC TRIDEM SUSPENSION (76 mm SPRING WIDE)									
KE3136B4N12	36000	1360	1205	1360	□ 120	395	360	4x25/10	336
KE3136B4NT1	36000	1360	1205	1360	○ 127	395	360	4x25/10	336
KE3136B4N15	36000	1360	1205	1360	□ 150	395	360	4x25/10	336
KE3153B4N12	36000	1525	1285	1525	□ 120	395	360	4x25/10	490
KE3153B4NT1	36000	1525	1285	1525	○ 127	395	360	4x25/10	490
KE3153B4N15	36000	1525	1285	1525	□ 150	395	360	4x25/10	490

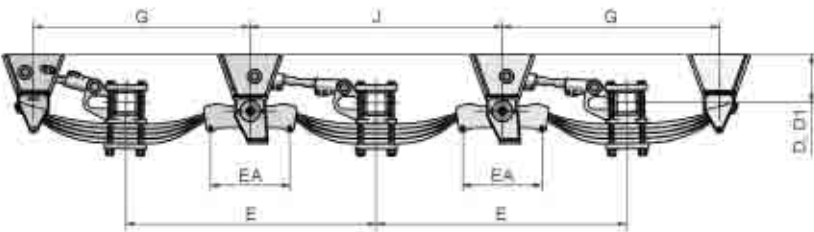
UNDERSLUNG LINKED PARABOLIC TANDEM SUSPENSION KE

76 mm WIDE KE



TYPE	CAPACITY	WHEELB E	G SIZE	AXLE BEAM	D SIZE	D1 SIZE	SPRING	ROCKER EA
UNDERSLUNG LINKED PARABOLIC TANDEM SUSPENSION (76 mm SPRING WIDE)								
KE2136B4RT1	24000	1360	1205	Ø 127	245	211	4x25/10	336

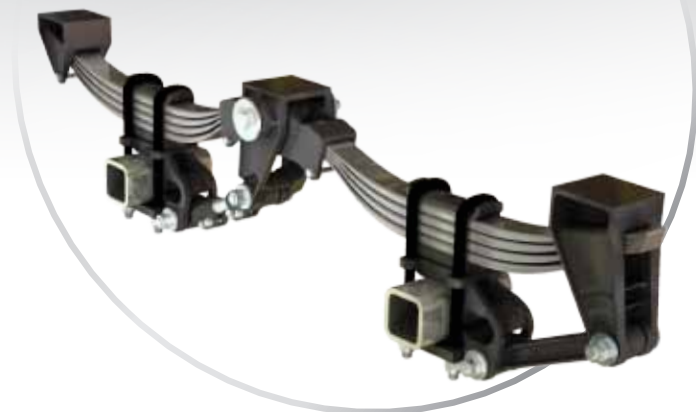
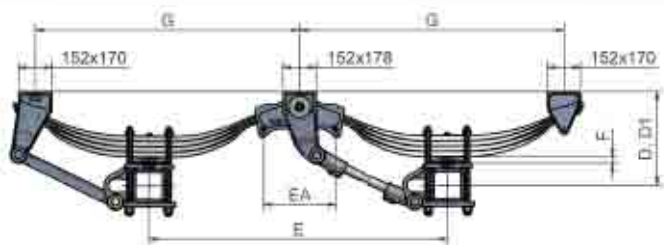
UNDERSLUNG LINKED PARABOLIC TRIDEM SUSPENSION KE



TYPE	CAPACITY	WHEELB E	G SIZE	J SIZE	AXLE BEAM	D SIZE	D1 SIZE	SPRING	ROCKER EA
UNDERSLUNG LINKED PARABOLIC TRIDEM SUSPENSION (76 mm SPRING WIDE)									
KE3136B4RT1	36000	1360	1205	1360	Ø 127	245	211	4x25/10	336

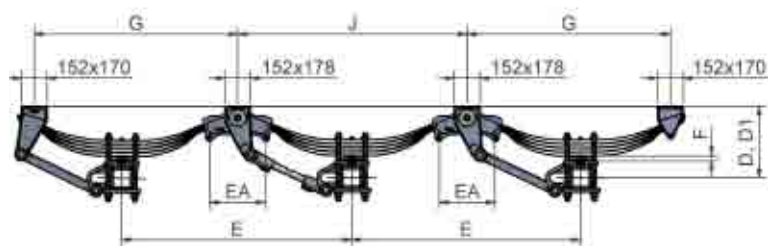
LINKED PARABOLIC TANDEM SUSPENSION KB

100 mm WIDE KB

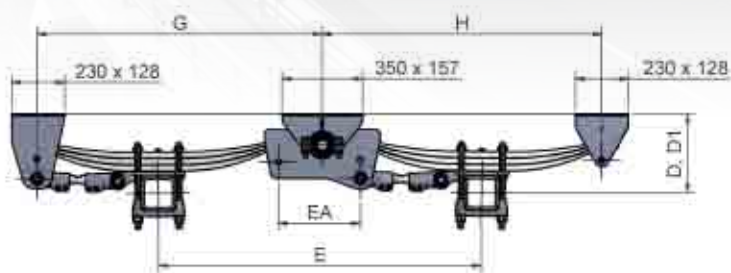


TYPE	CAPACITY	WHEELB E	G SIZE	AXLE BEAM	D SIZE	D1 SIZE	SPRING	ROCKER EA
LINKED PARABOLIC TANDEM SUSPENSION (100 mm SPRING WIDE)								
KB2136B4N12	24000	1360	1205	□ 120	395	360	4x23/10	336
KB2136B4NT1	24000	1360	1205	○ 127	395	360	4x23/10	336
KB2136B4N15	24000	1360	1205	□ 150	395	360	4x23/10	336
KB2153B4N12	24000	1525	1285	□ 120	395	360	4x23/10	490
KB2153B4NT1	24000	1525	1285	○ 127	395	360	4x23/10	490
KB2153B4N15	24000	1525	1285	□ 150	395	360	4x23/10	490
KB2180B4N12	24000	1810	1194	□ 120	395	360	4x23/10	435
KB2180B4NT1	24000	1810	1194	○ 127	395	360	4x23/10	435
KB2180B4N15	24000	1810	1194	□ 150	395	360	4x23/10	435

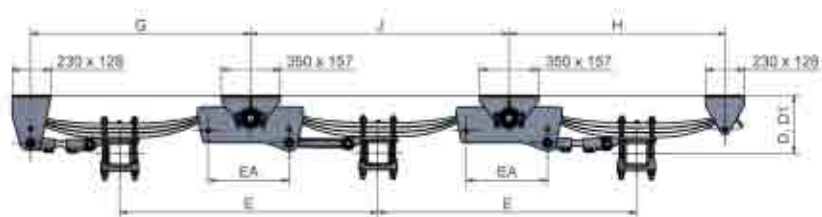
LINKED PARABOLIC TRIDEM SUSPENSION KB



TYPE	CAPACITY	WHEELB E	G SIZE	J SIZE	AXLE BEAM	D SIZE	D1 SIZE	SPRING	ROCKER EA
LINKED PARABOLIC TRIDEM SUSPENSION (100 mm SPRING WIDE)									
KB3136B4N12	36000	1360	1205	1360	□ 120	395	360	4x23/10	336
KB3136B4NT1	36000	1360	1205	1360	○ 127	395	360	4x23/10	336
KB3136B4N15	36000	1360	1205	1360	□ 150	395	360	4x23/10	336
KB3153B4N12	36000	1525	1285	1525	□ 120	395	360	4x23/10	490
KB3153B4NT1	36000	1525	1285	1525	○ 127	395	360	4x23/10	490
KB3153B4N15	36000	1525	1285	1525	□ 150	395	360	4x23/10	490
KB3180B4N12	36000	1810	1194	1380	□ 120	395	360	4x23/10	435
KB3180B4NT1	36000	1810	1194	1380	○ 127	395	360	4x23/10	435
KB3180B4N15	36000	1810	1194	1380	□ 150	395	360	4x23/10	435

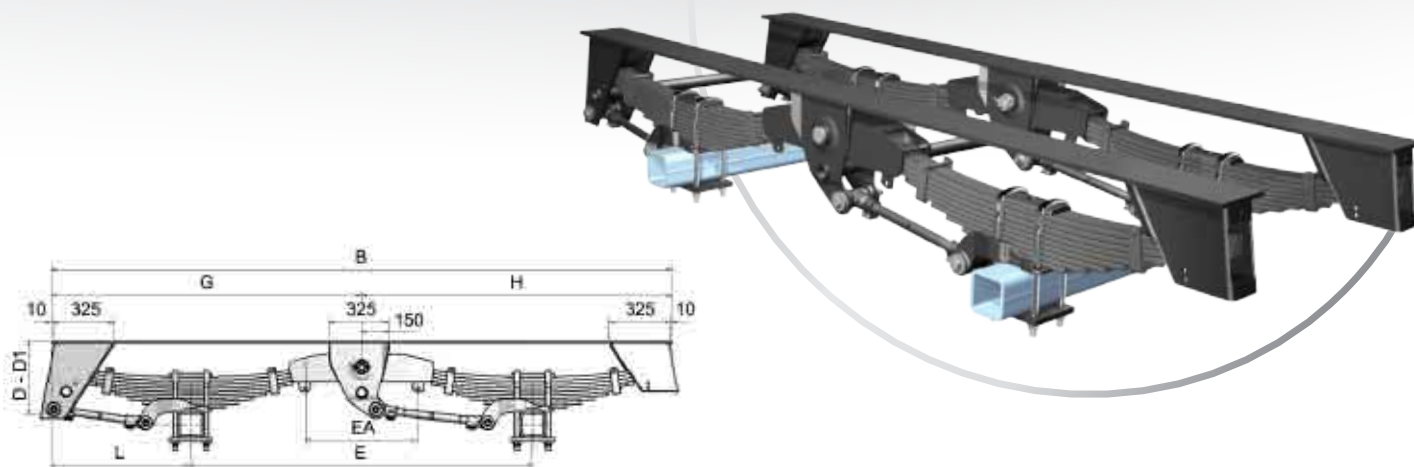
LOW PROFILE LINKED PARABOLIC TANDEM SUSPENSIONS KW
100 mm WIDE KW


TYPE	CAPACITY	WHEELB E	G SIZE	AXLE BEAM	D SIZE	D1 SIZE	SPRING	ROCKER EA
LOW PROFILE LINKED PARABOLIC TANDEM (100 mm SPRING WIDE)								
KW2153C1N15	24000	1525	1260	□ 150	295	272	2x30/15	490
KW2153C2N15	32000	1525	1260	□ 150	315	291	3x27/13	490

LOW PROFILE LINKED PARABOLIC TRIDEM SUSPENSIONS KW


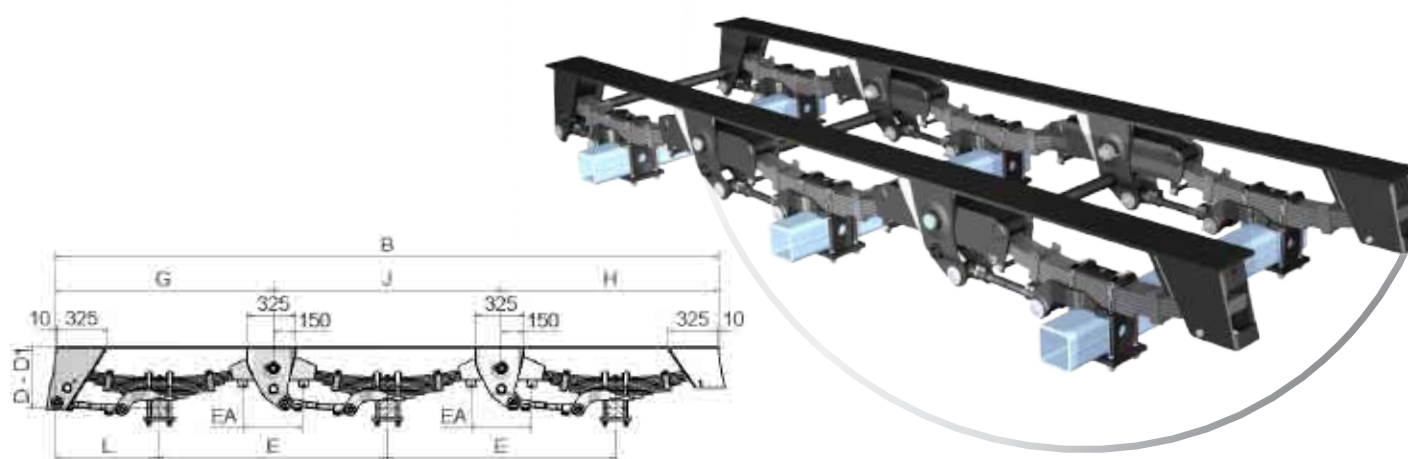
SOSPENSIONE TIPO	PORTATA	PASSO E	QUOTA G	QUOTA J	CORPO ASSE	QUOTA D	QUOTA D1	SPRING	ROCKER EA
LOW PROFILE LINKED PARABOLIC TRIDEM (100 mm SPRING WIDE)									
KW3153C1N15	36000	1525	1260	1525	□ 150	295	272	2x30/15	490
KW3153C2N15	48000	1525	1260	1525	□ 150	315	291	3x27/13	490

MULTI LEAF TANDEM SUSPENSIONS 5323/5524



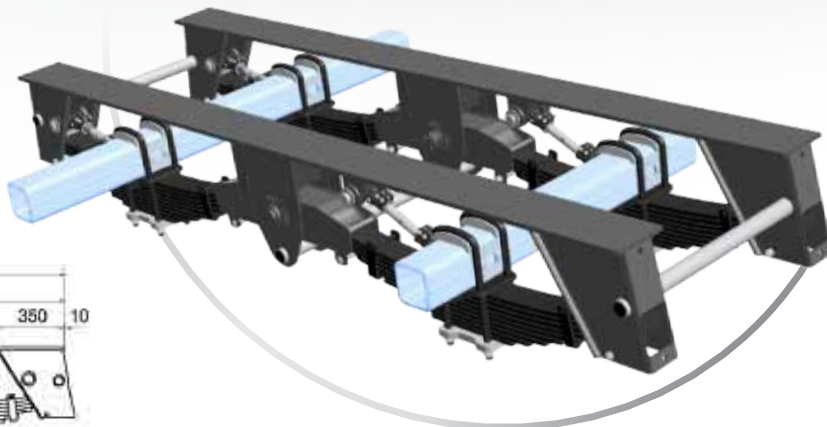
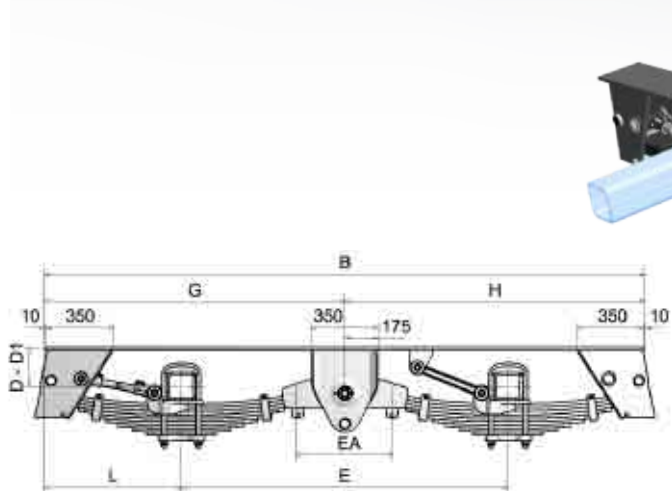
TYPE	CAPACITY	WHEELB E	G SIZE	AXLE BEAM	D SIZE	D1 SIZE	SPRING
LINKED MULTI LEAF TANDEM SUSPENSION (100 mm SPRING WIDE)							
5323	24000	1480	1415	□ 150	420	397	10x15 (4M)
5323	24000	1580	1465	□ 150	420	397	10x15 (4M)
5323	24000	1690	1520	□ 150	420	397	10x15 (4M)
5524	33000	1480	1415	□ 150	470	448	12x15 (4M)
5524	33000	1580	1465	□ 150	470	448	12x15 (4M)
5524	33000	1710	1595	□ 150	473	453	4x20+6x18 (4M)

MULTI LEAF TRIDEM SUSPENSIONS 5341/5741



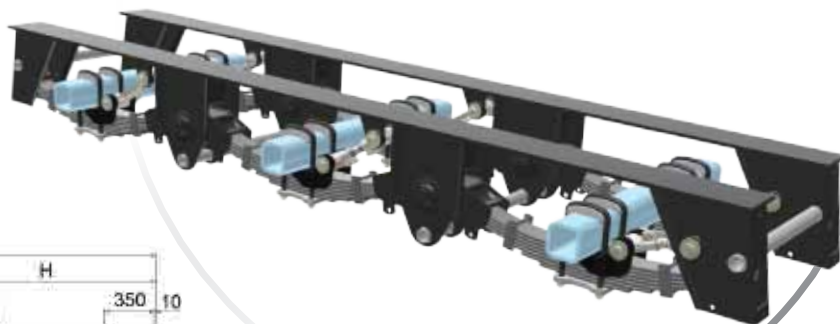
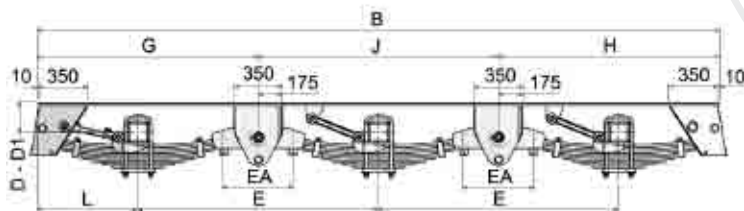
TYPE	CAPACITY	WHEELB E	G SIZE	J SIZE	AXLE BEAM	D SIZE	D1 SIZE	SPRING
MULTI LEAF TRIDEM SUSPENSION (100 mm SPRING WIDE)								
5341	32000	1480	1415	1480	□ 150	420	397	10x15 (4M)
5341	32000	1580	1465	1580	□ 150	420	397	10x15 (4M)
5341	32000	1690	1520	1690	□ 150	420	397	10x15 (4M)
5741	50000	1480	1415	1480	□ 150	470	448	12x15 (4M)
5741	50000	1580	1465	1580	□ 150	470	448	12x15 (4M)
5741	50000	1710	1595	1710	□ 150	473	453	4x20+6x18 (4M)

MULTI LEAF SUSPENSIONS 5383/5584



TYPE	CAPACITY	WHEELB E	G SIZE	AXLE BEAM	D SIZE	D1 SIZE	SPRING
UNDERSLUNG LINKED MULTI LEAF TANDEM SUSPENSION (100 mm SPRING WIDE)							
5383	24000	1480	1415	□ 150	235	212	10x15 (4M)
5383	24000	1580	1465	□ 150	235	212	10x15 (4M)
5383	24000	1690	1520	□ 150	235	212	10x15 (4M)
5584	33000	1480	1415	□ 150	235	213	12x15 (4M)
5584	33000	1580	1465	□ 150	235	213	12x15 (4M)
5584	33000	1710	1595	□ 150	180	160	4x20+6x18 (4M)

MULTI LEAF TRIDEM SUSPENSIONS 5401/5801



TYPE	CAPACITY	WHEELB E	G SIZE	J SIZE	AXLE BEAM	D SIZE	D1 SIZE	SPRING
UNDERSLUNG MULTI LEAF TRIDEM SUSPENSION (100 mm SPRING WIDE)								
5401	32000	1710	1415	1480	□ 150	235	211	10x15 (4M)
5401	32000	1580	1465	1580	□ 150	235	211	10x15 (4M)
5401	32000	1690	1520	1690	□ 150	235	211	10x15 (4M)
5801	50000	1480	1415	1480	□ 150	210	188	12x15 (4M)
5801	50000	1580	1465	1580	□ 150	210	188	12x15 (4M)
5801	50000	1710	1595	1710	□ 150	155	135	4x20+6x18 (4M)

